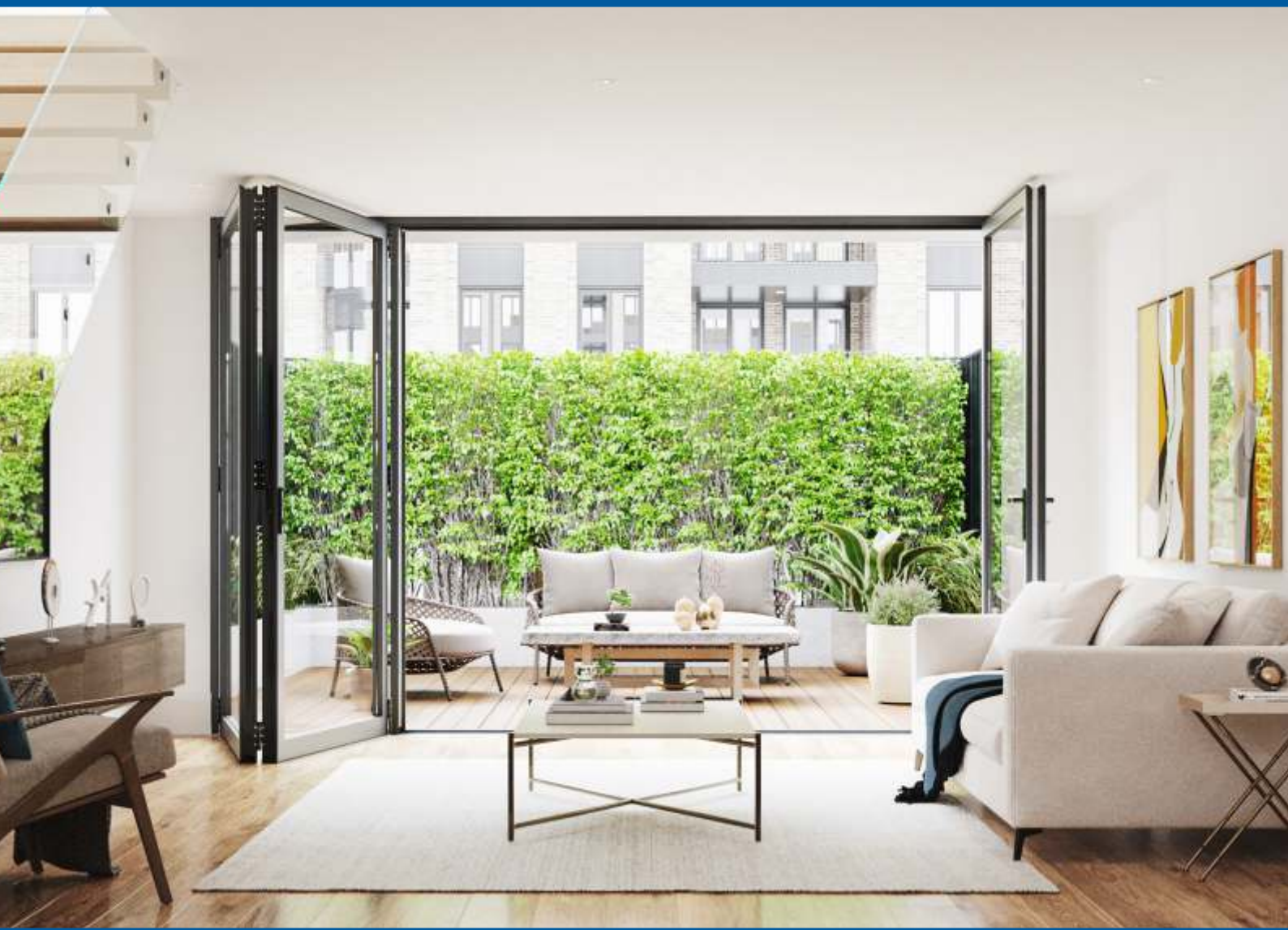


Premium HI Bifold

Threshold Options



DURATION
WINDOWS



Contents

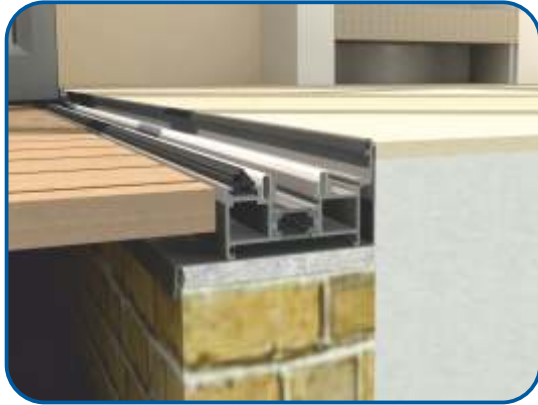


Standard Rebated Threshold	3
34mm Low Threshold	4
34mm Low Threshold with ramp	5
22mm Low Threshold - internal use only	5
Cill Options	6
Drainage	7

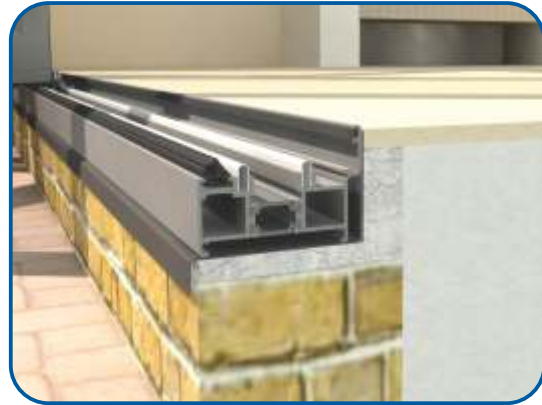
Standard Rebated Threshold

Open Out

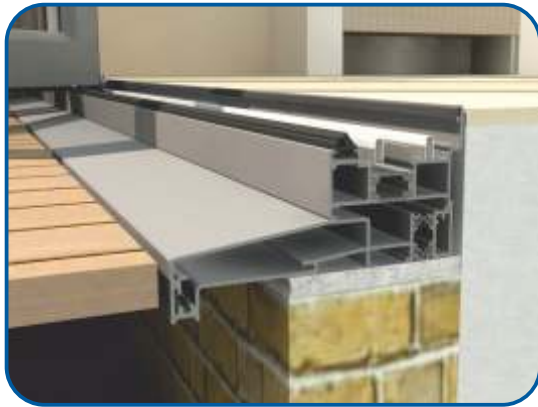
With Decking And No Cill



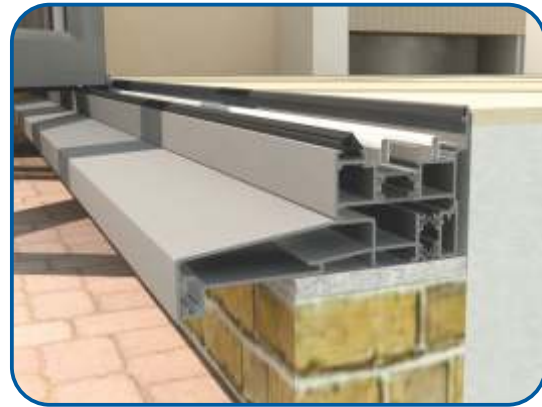
With Patio And No Cill



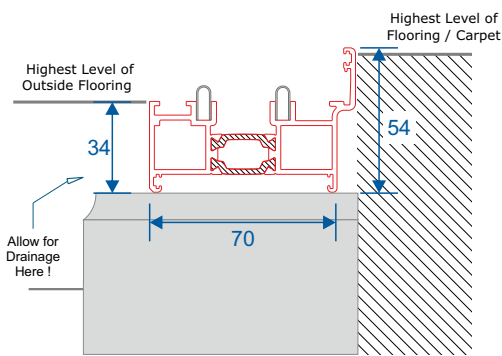
With Decking And 150mm Cill



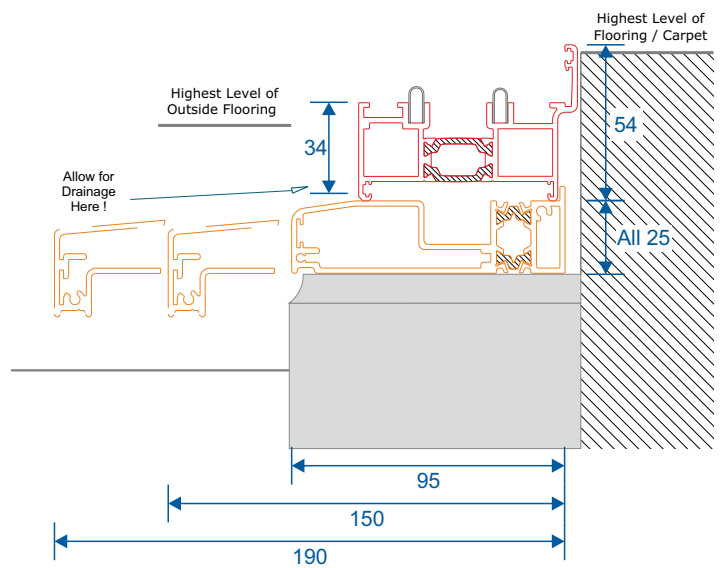
With Patio And 150mm Cill



Open Out With No Cill



Open Out With Cill



	Threshold
	Cill
	Brick/Concrete

The images displayed in this document are an artistic representation only, and not a comprehensive installation guide. We do not supply decking, flooring, lead flashing etc. If in doubt please speak to a experienced builder or our technical department.

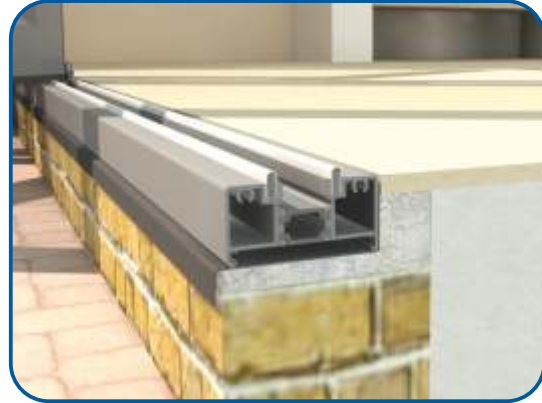
34mm Low Threshold

Open Out

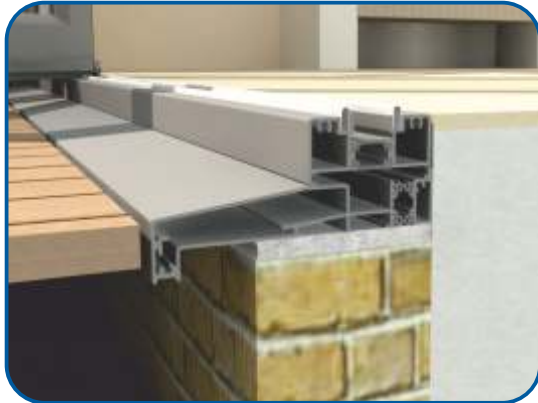
Sunk Into Floor with Decking



Sunk Into Floor With Patio



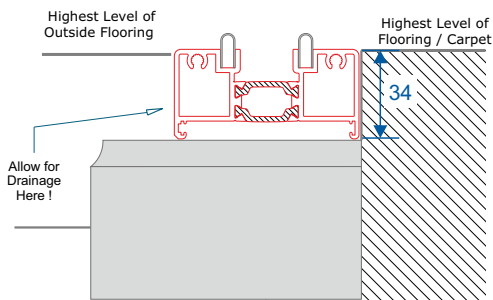
150mm Cill With Decking



150mm Cill With Patio

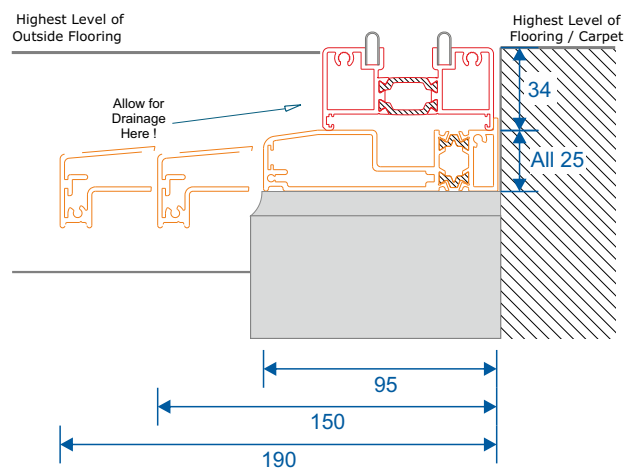


Open Out With No Cill



	Threshold
	Cill
	Brick/Concrete

Open Out With Cill

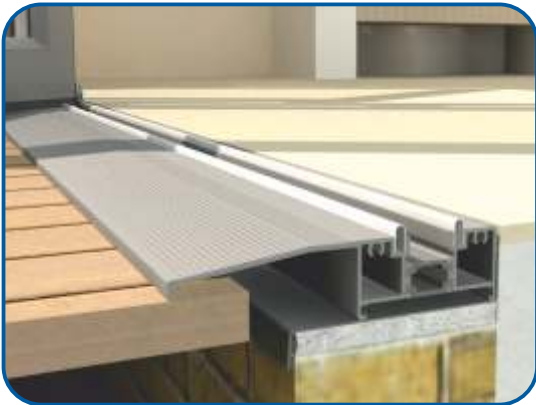


The images displayed in this document are an artistic representation only, and not a comprehensive installation guide. We do not supply decking, flooring, lead flashing etc. If in doubt please speak to a experienced builder or our technical department.

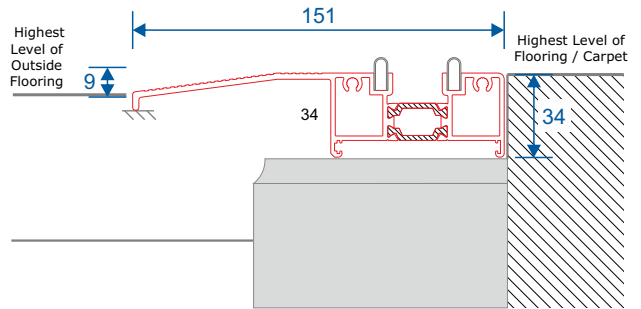
Ramped Low & Room Divider Threshold

Ramped Low Threshold Open Out

Sunk Into Floor With Decking

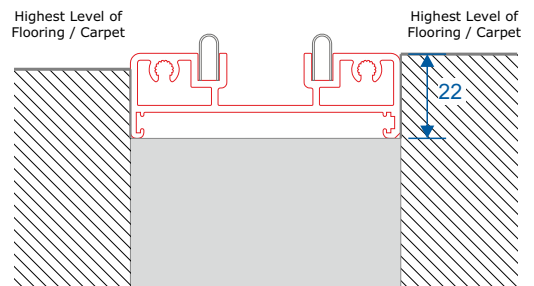
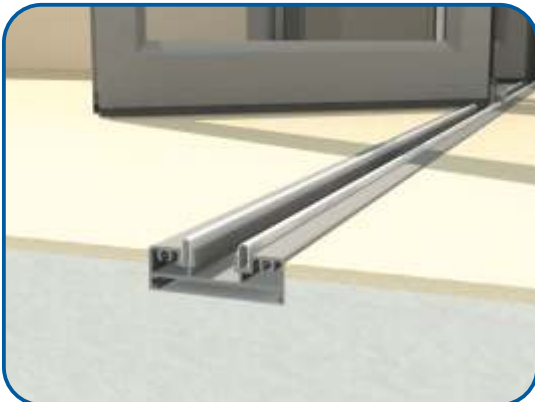


The ramp on this threshold needs to be supported.



Room Divider Threshold Open Out

Sunk Into Floor - For Internal Use Only



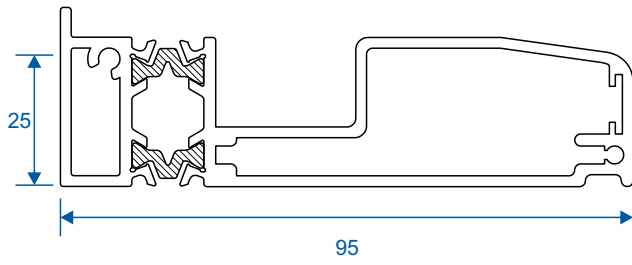
Allow at least 5mm between the floor and the bottom of the door sash to prevent doors dragging when operated.

	Threshold
	Cill
	Brick/Concrete

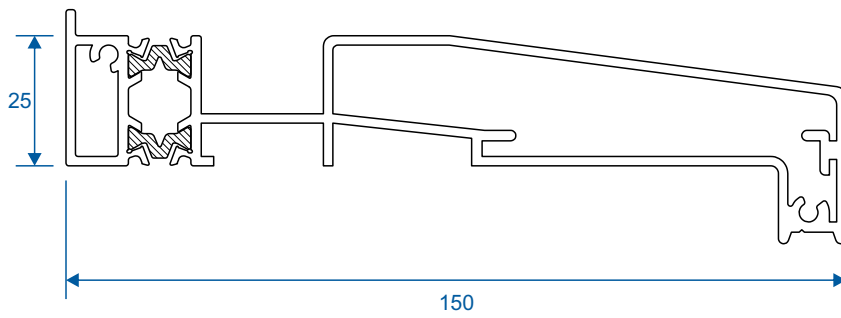
The images displayed in this document are an artistic representation only, and not a comprehensive installation guide. We do not supply decking, flooring, lead flashing etc. If in doubt please speak to a experienced builder or our technical department.

Cill Options

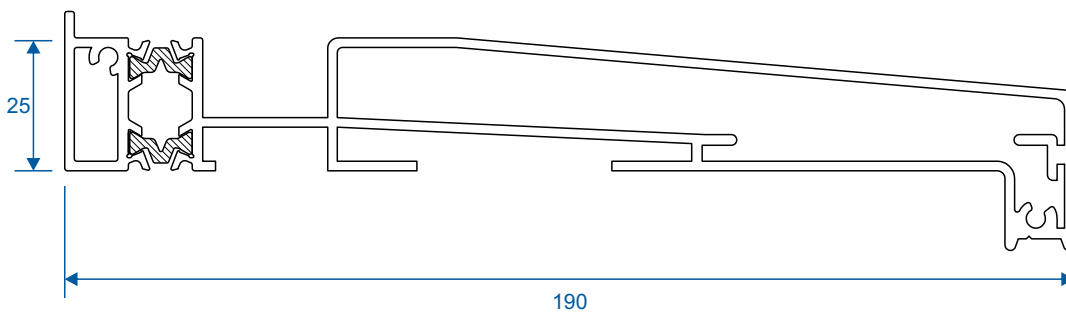
95mm Cill - AW570



150mm Cill - AW542



190mm Cill - AW544

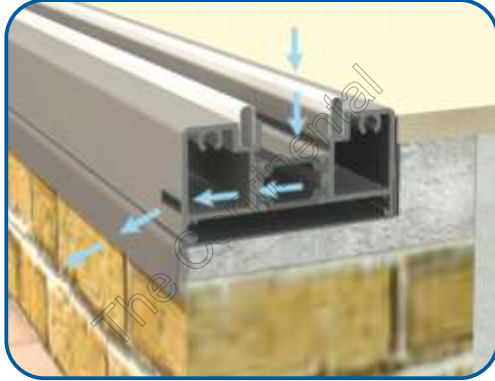


The images displayed in this document are an artistic representation only, and not a comprehensive installation guide. We do not supply decking, flooring, lead flashing etc. If in doubt please speak to a experienced builder or our technical department.

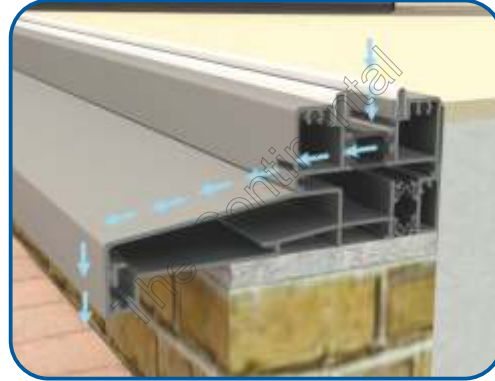
Drainage Paths

When installing a bifold, drainage paths for the threshold need to be taken into consideration. Please discuss drainage with the installer, homeowner and installer of external flooring. The images below depict an example of each threshold and its drainage path.

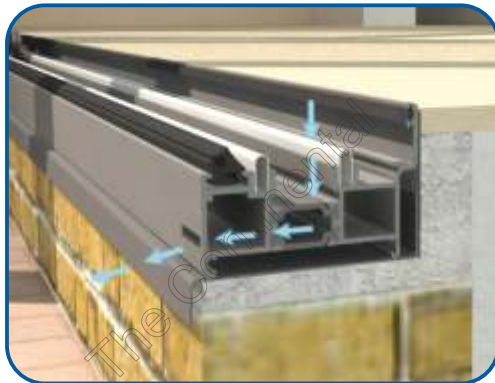
Low Threshold



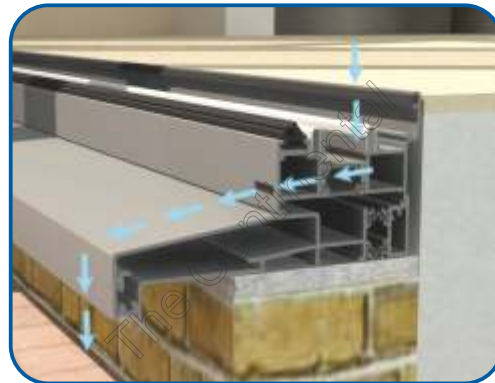
Low Threshold With Cill



Standard Threshold (Open Out)



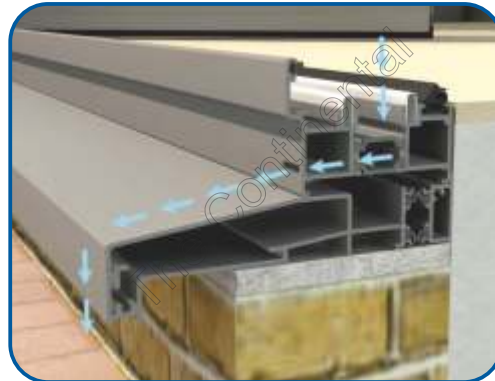
Standard Threshold With Cill (Open Out)



Standard Threshold (Open In)



Standard Threshold With Cill (Open In)



Ramped Threshold



The images displayed in this document are an artistic representation only, and not a comprehensive installation guide. We do not supply decking, flooring, lead flashing etc. If in doubt please speak to a experienced builder or our technical department.

Duration Windows
Thames Development
Charfleets Road
Canvey Island
Essex. SS8 0PQ

sales@duration.co.uk
www.duration.co.uk

Head Office 01268 681612
Showroom 01268 695100